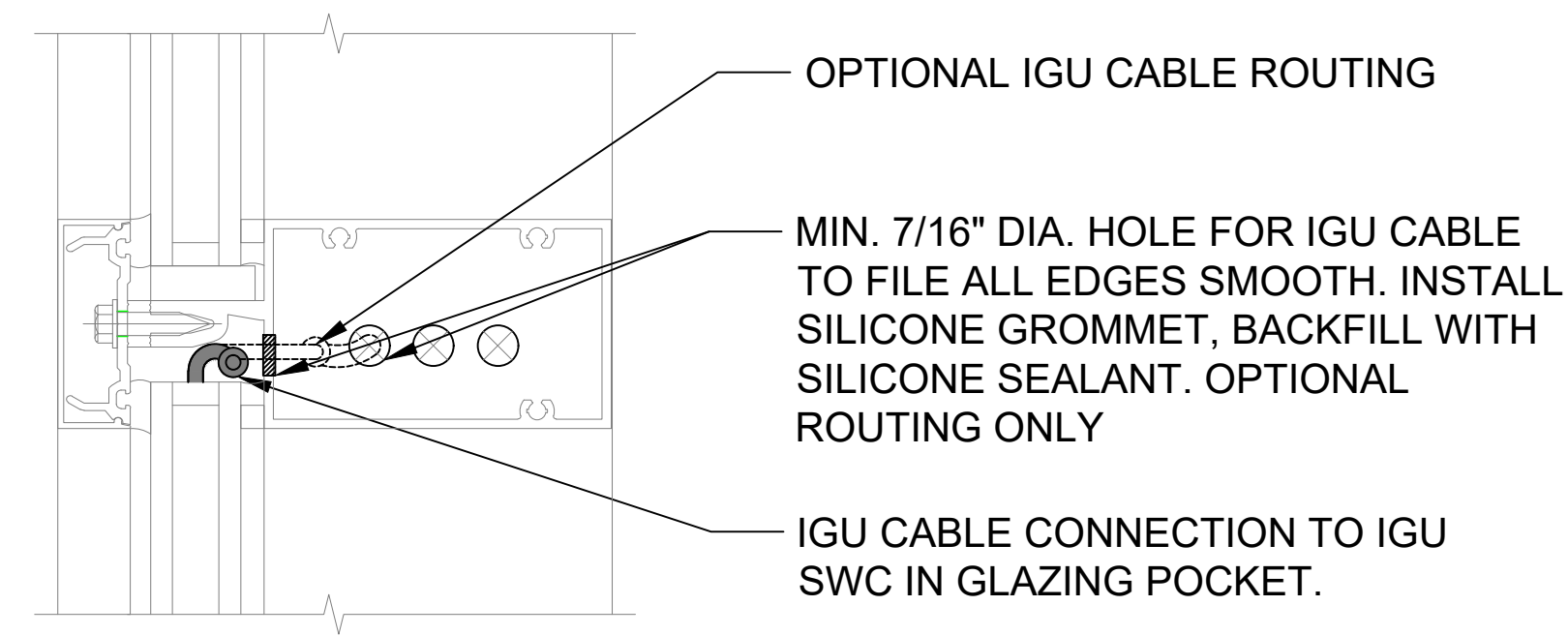
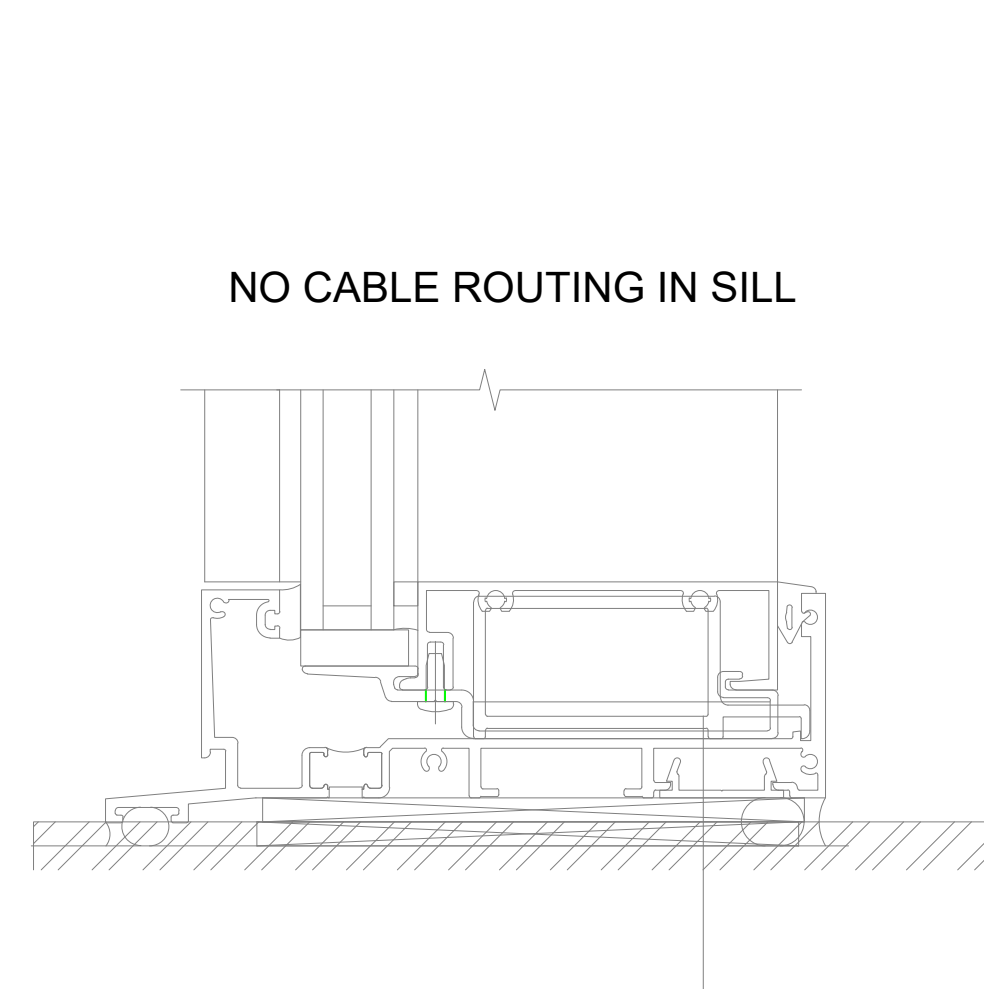


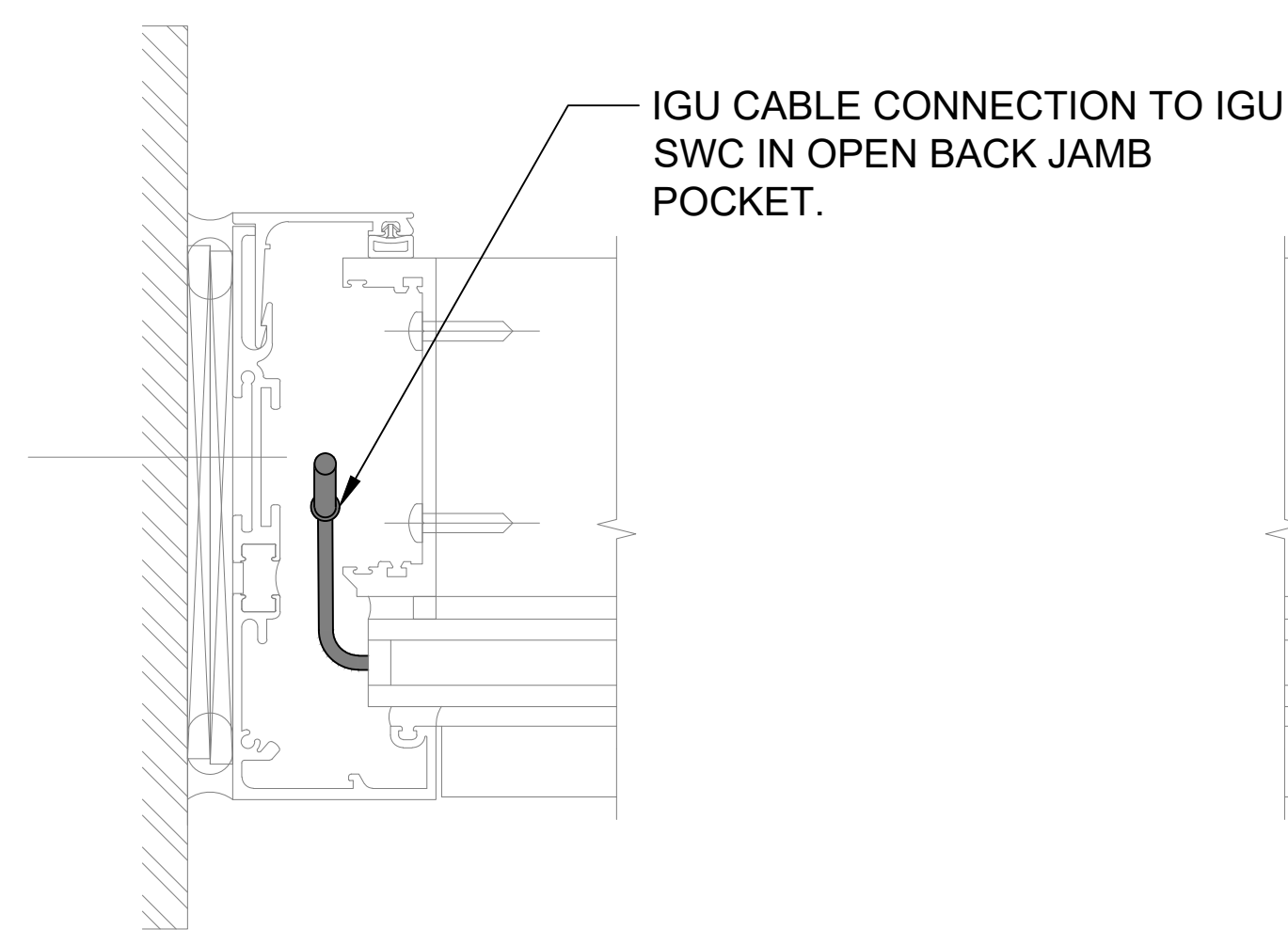
DETAIL 1
HEAD



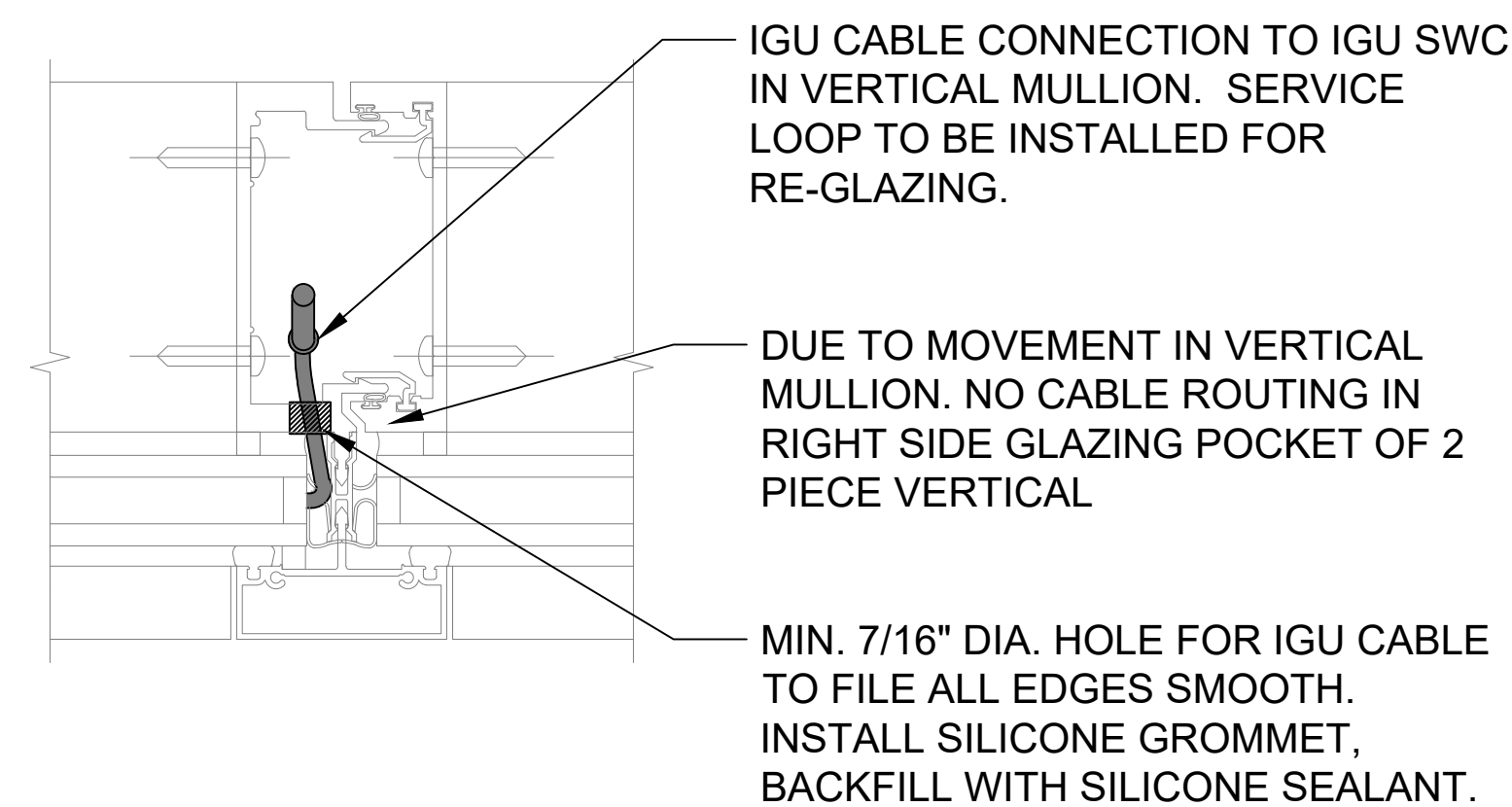
DETAIL 2
HORIZONTAL MULLION



DETAIL 3
SILL

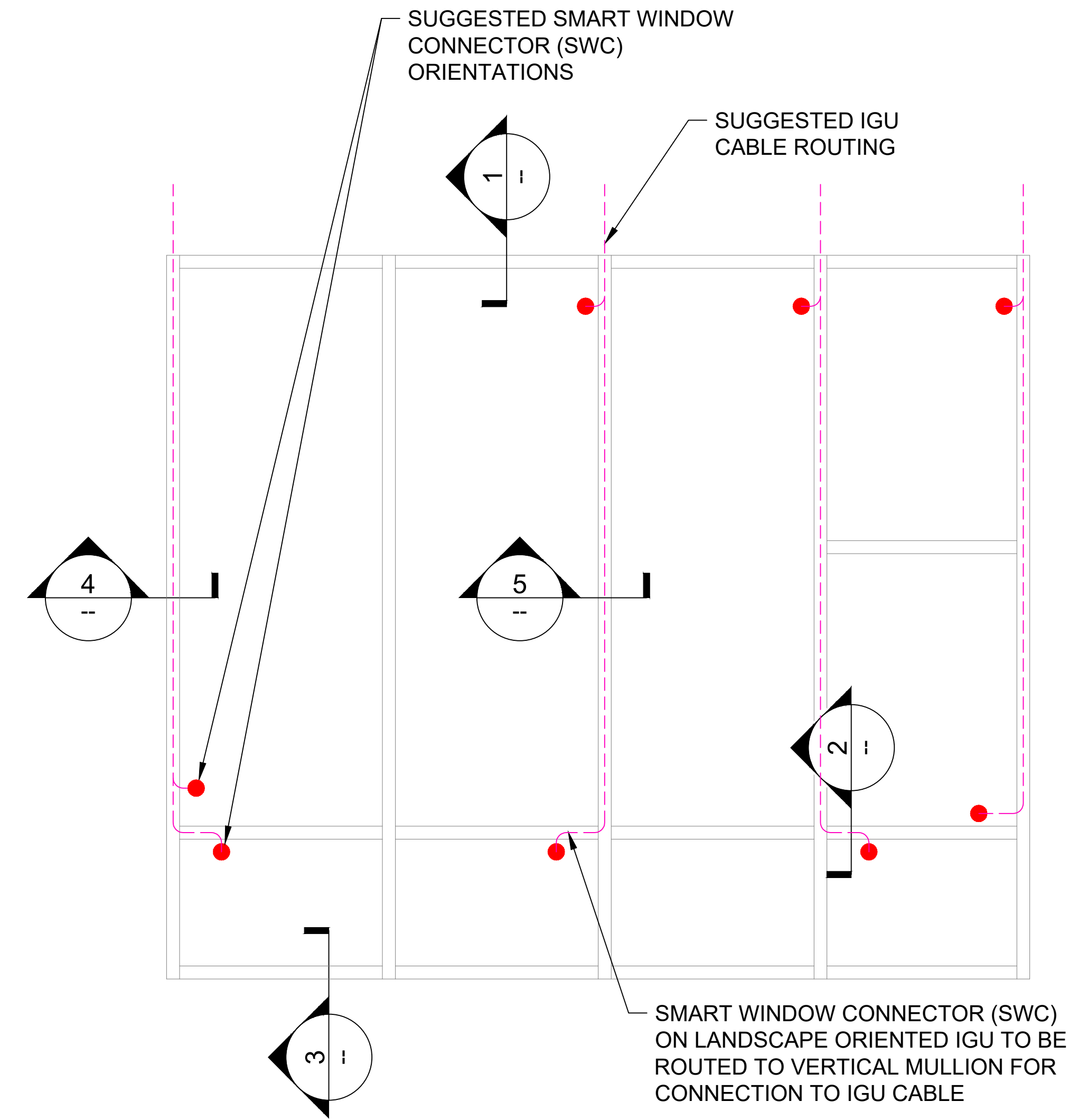


DETAIL 4
LEFT JAMB



DETAIL 5
VERTICAL MULLION

- NOTES:**
1. INSTALLER TO PROVIDE GROMMETS AT ALL FRAME PENETRATIONS WHERE POSSIBLE TO AVOID CABLE DAMAGE.
 2. INSTALLER TO LABEL IGU CABLES WITH IGU NAME TO WHICH IT IS CONNECTED.
 3. WHEN GLAZING POCKET CANNOT ACCOMMODATE IGU/SWC, INCORPORATE SERVICE LOOP INTO IGU CABLING. MAKE CONNECTION TO SWC AS YOU ARE GLAZING AND PUSH CONNECTOR THROUGH HOLE AND INTO MULLION.
 4. NO WIRE ROUTING IN SILL.



TYPICAL ELEVATION
SCALE: NONE

1 INSTALLATION DETAILS: FOR KAWNEER - FG 601T (WW)